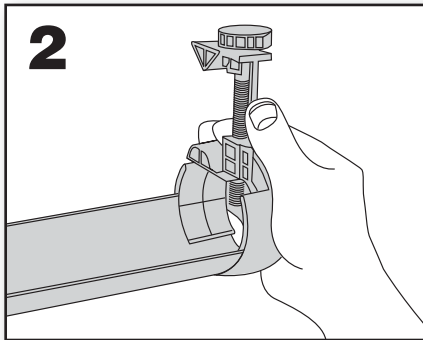
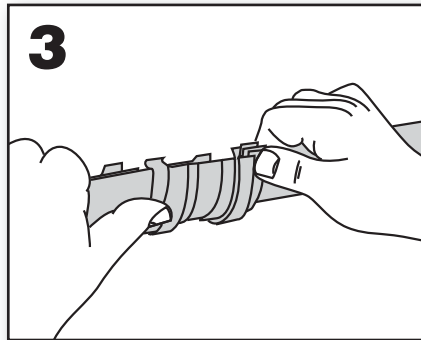




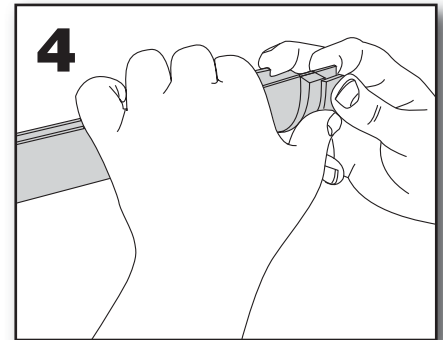
- 1** Remove kit from packaging and position the gutter so that the stop-end outlet (pre-attached) is at the end where you want your water butt (left side shown in these instructions).



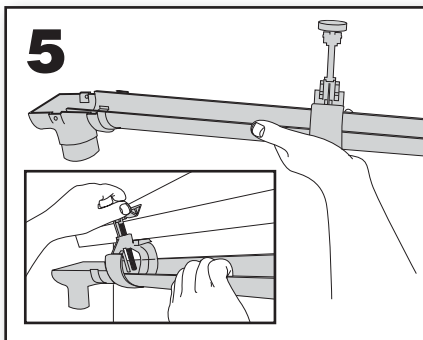
Slide two brackets onto guttering to a suitable distance, between 30cm and 60cm (12" to 24") from each end, with the V clamps facing the rear. It is recommended that brackets are placed roughly 1.2m (4ft) apart, but adjust as necessary.



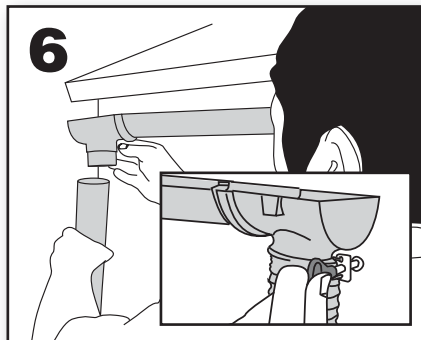
For longer kits, join multiple lengths of guttering using the supplied union(s) by clipping in, ensuring 2 brackets are first slid onto the larger length attached to the stop end outlet and a bracket after each union. Please refer to step 3 for a note regarding the seals.



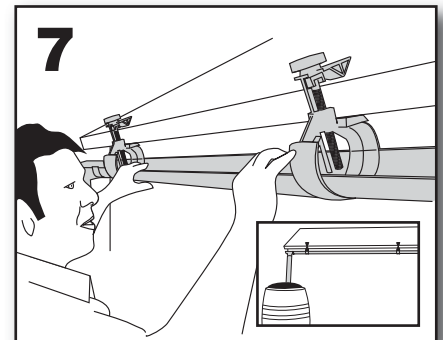
When all brackets are in place, clip the stop-end to the gutter. Some force is necessary in order to compress the rubber seal. A smear of washing up liquid or silicone grease/spray on the seal may help if required.



Place the gutter and clamps to the roof edge so gutter is suitably positioned, supporting the gutter as needed whilst nipping up the brackets enough to secure the gutter - **do not overtighten**.



Slide downpipe onto stop-end outlet. For flexible downpipes, the pipe needs to go to the very top, widest part of the outlet and tightened by the clamp key, see inset diagram.



Fine-tune guttering position. It is normal for a rigid downpipe to hang slightly to one side. Horizontal positioning of the brackets may also be adjusted for best effect. To avoid sagging don't place the brackets at the very ends of the gutter.

Now sit back and wait for the rain to rapidly fill your water butt!

Due to product settling, we suggest checking clamp tightness periodically.

Removal/Moving the gutter - For removing the gutter e.g. for painting or moving to a new building, simply loosen the brackets whilst supporting the gutter and ease away from the roof edge.

Further advice - For further hints, tips, advice or help, please visit our website at hallsrainsaver.com or contact us on 01925 376375. There is also an installation video available online at <http://hallsrainsaver.com/installation>

Limited 5 year guarantee - We take pride in the quality, design and innovation of our products. In case a problem should occur, please contact customer service via phone or through our website, details above. The warranty is valid as of the date of purchase and proof of purchase will be required. We continuously test our products for durability and will replace, at our discretion, any product or part which fails due to structural defect or faulty workmanship, for a 5 year period from the initial date of purchase. Damage caused by: use of excessive force, incorrect handling, inappropriate use, neglect, commercial use or use other than for personal or household purposes; damages resulting from alteration, painting, or assembly not in accordance with the instructions are excluded from the warranty. Please keep your receipt and these instructions for future customer service purposes.

Recycling information - Brackets are made from PA6 15% GF (glass filled nylon) and the Gutter components are PVC-U, both inherently recyclable materials. You may find out more about recycling opportunities with your local council.